

Product #172018, 172019, 172020, 172021, 172022

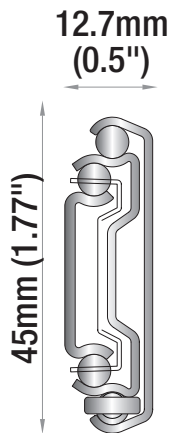
3/18/20

BSH-452PK2 HIGHPOINT® Full Extension Push-to-Open/Soft Close Ball Bearing Slide



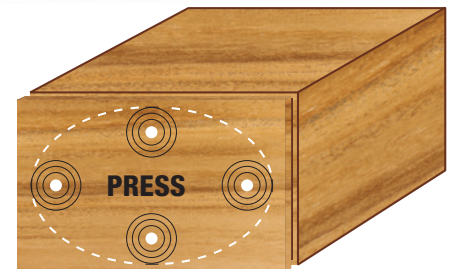
Specifications

- Length: 355mm to 558mm (14" to 22")
- Profile: 45mm x 12.7mm
- Travel: Full Extension
*14" Slide Has 12½" Extension
- Side Space: 13mm (+0.5mm – -0.3mm)
- Height: 45mm (1.80")
- Max Loading: 35 kg (75 lbs.)/pair
- Mount: Side Mount
- Disconnect: Lever Disconnect
- Finish: Clear Zinc
- Material: Cold Rolled Steel

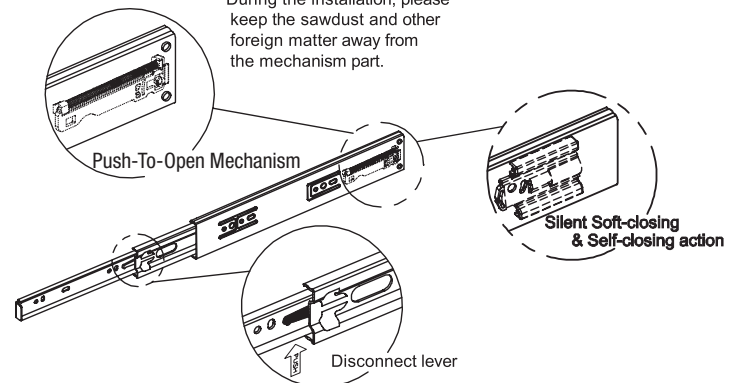


Applications

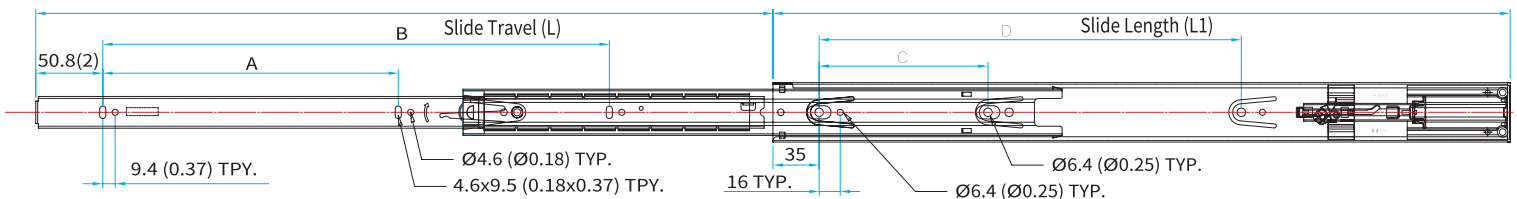
- Store Fixtures
- Office Furniture
- Kitchen Furniture
- Home Cabinets



*During the installation, please keep the sawdust and other foreign matter away from the mechanism part.



Dimension Specifications



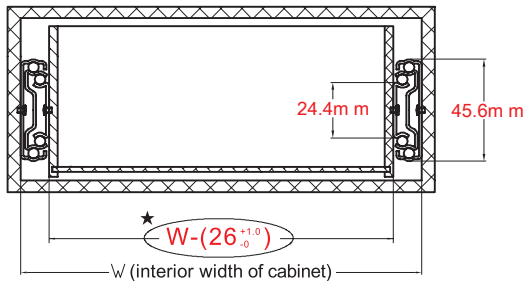
NOTE: Holes other than those shown may be in the slide member at the manufacturer's option and may change without notice.

Item No.	Slide Length L1 mm (inch)	Slide Travel L mm (inch)	Loading Capacity kg (lbs.)/pair	Hole Position mm (inch)			
				A	B	C	D
BSH-452PK2-14	355.6 (14)	317.5 (12.5)	23 (50)	96 (3.8)	—	64 (2.5)	128 (5.0)
BSH-452PK2-16	406.4 (16)	406.4 (16)	25 (55)	160 (6.3)	—	64 (2.5)	192 (7.6)
BSH-452PK2-18	457.2 (18)	457.2 (18)	35 (75)	160 (6.3)	—	64 (2.5)	224 (8.8)
BSH-452PK2-20	508.0 (20)	508.0 (20)	30 (66)	192 (7.6)	320 (12.6)	128 (5.0)	288 (11.3)
BSH-452PK2-22	558.8 (22)	558.8 (22)	22 (47)	224 (8.8)	384 (15.1)	128 (5.0)	320 (12.6)

Product #172018, 172019, 172020, 172021, 172022

3/18/20

BSH-452PK2 HIGHPOINT® Full Extension Push-to-Open/Soft Close Ball Bearing Slide



★Attention :

The width inside cabinet minus 26 $\pm_{-0}^{+1.0}$ mm is then the suitable drawer width.

E.g. the width of inside cabinet is 600mm,
and the suitable range of drawer width is 574 $\pm_{-0}^{+1.0}$ mm.

Install Cabinet Member

1. Separate slide members by lifting up on the left-hand disconnect lever and pushing down the right-hand lever.
2. Install large cabinet member first.
 - For applications with an overlay drawer front, refer to Figure 1.
 - For applications with an inset drawer front, refer to Figure 2.

Install Drawer Member

3. Install the drawer member with a screw through the oval hole at the front and through a hole at the rear. Refer to Figure 3.
4. Make sure the ball bearing retainers in the cabinet side are fully forward. Install drawer into cabinet. Close the drawer.
5. Open the drawer and adjust drawer for final fit, using screws in oval holes, then proceed to step 6.
6. Install additional mounting screws to secure.

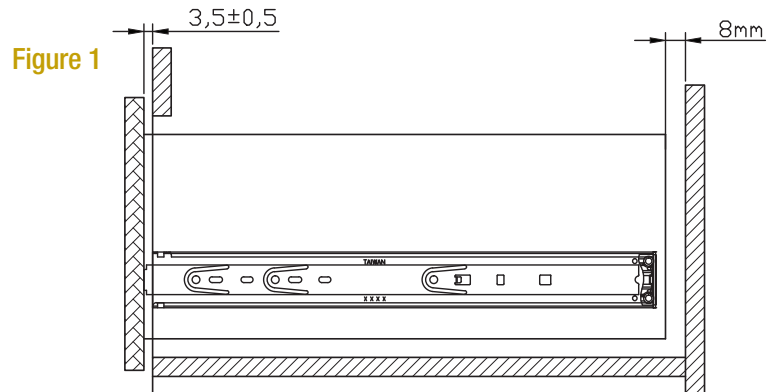
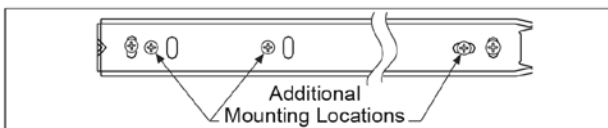


Figure 1

Align the front edge of the cabinet member with the front edge of the cabinet. Be sure the slide is in the horizontal position.

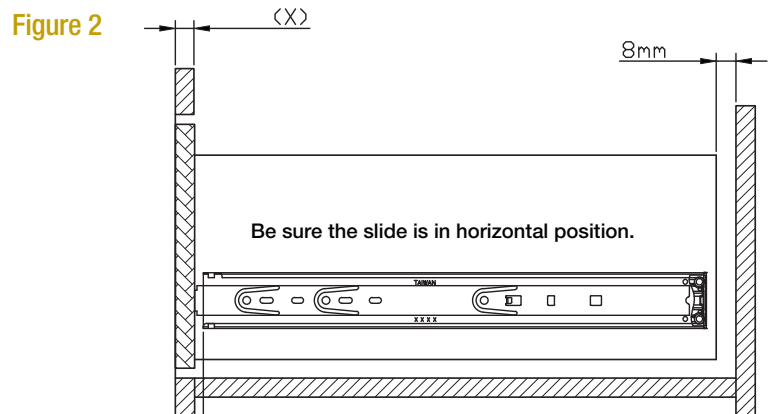


Figure 2

Be sure the slide is in horizontal position.

$Z = X + 3.5\text{mm}$
Please make sure the gap (Z) on both sides is equal.

Figure 3

