

Product #170234, 170235, 170236, 170237, 170238, 170239

10/30/19

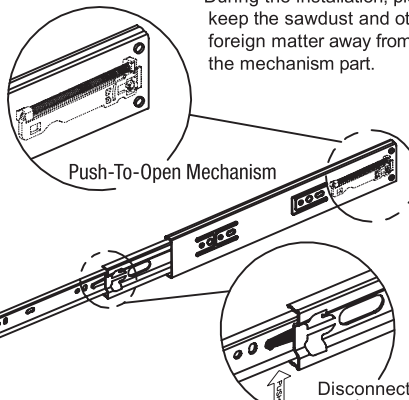
3M89 HIGHPOINT® Full Extension Push-To-Open Ball Bearing Slide



Specifications

- Length: 350mm to 600mm (14" to 24")
- Profile: 45.6mm x 12.7mm
- Travel: Full Extension
- Side Space: 13mm (+0.5mm – -0.3mm)
- Height: 45.6mm (1.80")
- Max Loading: 45 kg (100 lbs.)/pair
- Mount: Side Mount
- Disconnect: Lever Disconnect
- Finish: Clear Zinc
- Material: Cold Rolled Steel

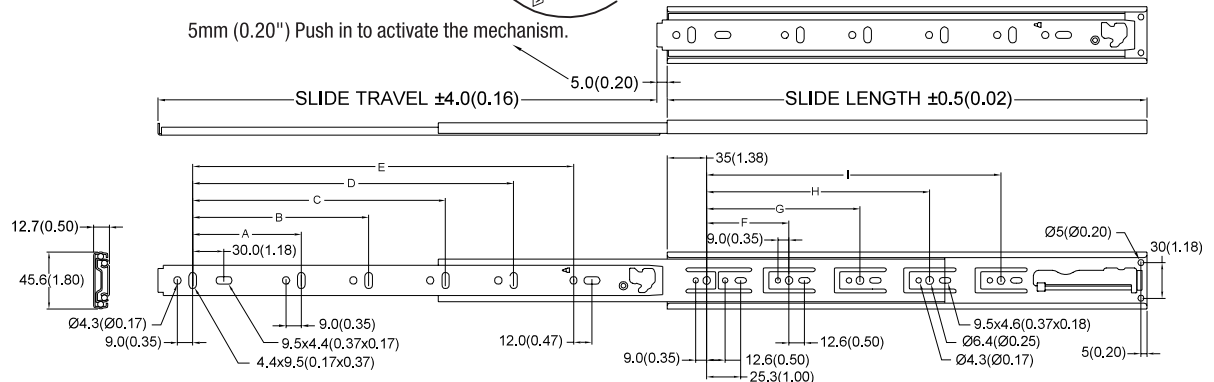
*During the installation, please keep the sawdust and other foreign matter away from the mechanism part.



Applications

- Industrial Workstations
- Office Furniture
- Kitchen Furniture
- Home Cabinets
- Box Drawers

Dimension Specifications



NOTE: Holes other than those shown may be in the slide member at King Slide's option and may change without notice.

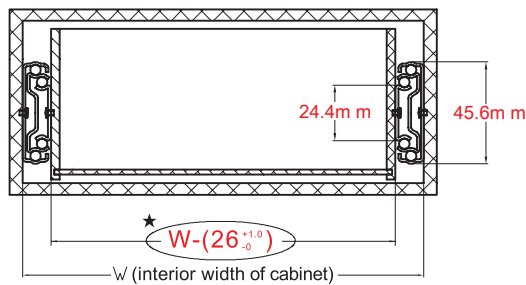
Item No.	Slide Length mm (inch)	Slide Travel mm (inch)	Loading Capacity kg (lbs.)/pair	Hole Position mm (inch)							
				A	B	C	E	F	G	H	I
3M89-350	350 (13.78)	350.7 (13.81)	34.1 (75)	128 (5.04)	—	—	261 (10.28)	128 (5.04)	—	—	192 (7.56)
3M89-400	400 (15.75)	400.7 (15.78)	40.9 (90)	128 (5.04)	—	—	311 (12.24)	128 (5.04)	—	—	224 (8.82)
3M89-450	450 (17.72)	450.7 (17.74)	45.4 (100)	128 (5.04)	320 (12.6)	—	361 (14.21)	128 (5.04)	—	—	288 (11.34)
3M89-500	500 (19.69)	500.7 (19.71)	45.4 (100)	128 (5.04)	224 (8.82)	320 (12.60)	411 (16.18)	128 (5.04)	224 (8.82)	—	320 (12.60)
3M89-550	550 (21.65)	550.7 (21.68)	45.4 (100)	128 (5.04)	224 (8.82)	416 (16.38)	461 (18.14)	128 (5.04)	224 (8.82)	—	384 (15.12)
3M89-600	600 (23.62)	600.7 (23.65)	38.6 (85)	128 (5.04)	224 (8.82)	416 (16.38)	511 (20.12)	128 (5.04)	224 (8.82)	352 (13.86)	448 (17.64)

Product #170234, 170235, 170236, 170237, 170238, 170239

10/30/19

3M89 HIGHPOINT®

Full Extension Push-To-Open Ball Bearing Slide

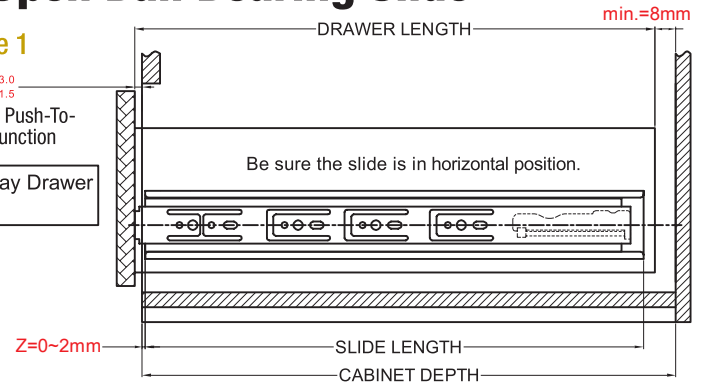


★Attention :
 The width inside cabinet minus 26 \pm 1.0 mm is then the suitable drawer width.
 E.g. the width of inside cabinet is 600mm,
 and the suitable range of drawer width is 574 \pm 0 mm.

Figure 1

*5.0 $^{+3.0}_{-1.5}$
 Gap for Push-To-Open Function

Overlay Drawer Front



The cabinet member can be either aligned with the edge of cabinet or moved backwards 1-2mm, and the gap (Z) on both sides must be equal.

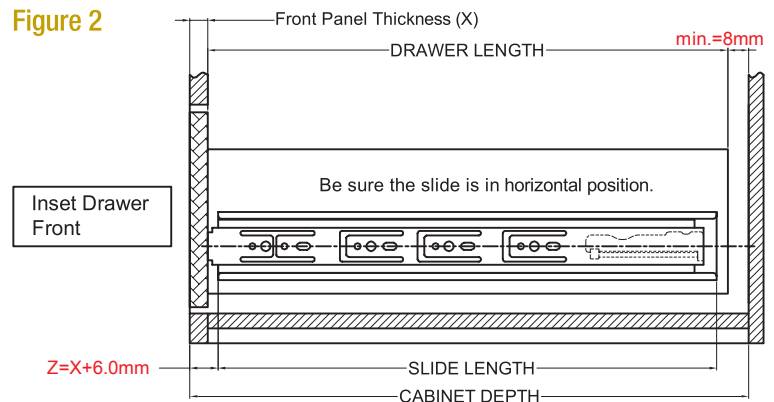
Install Cabinet Member

1. Separate slide members by lifting up on the left-hand disconnect lever and pushing down the right-hand lever.
2. Install large cabinet member first.
 - For applications with an overlay drawer front, refer to Figure 1.
 - For applications with an inset drawer front, refer to Figure 2.

Install Drawer Member

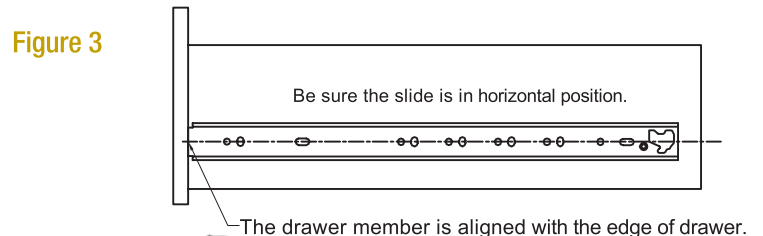
3. Install the drawer member with a screw through the oval hole at the front and through a hole at the rear. Refer to Figure 3.
4. Make sure the ball bearing retainers in the cabinet side are fully forward. Install drawer into cabinet. Close the drawer.
5. Open the drawer and adjust drawer for final fit, using screws in oval holes, then proceed to step 6.
6. Install additional mounting screws to secure.

Figure 2



Please make sure the gap (Z) on both sides is equal.

Figure 3



The drawer member is aligned with the edge of drawer.

