

Product #170229, 170230, 170231, 170232, 170233

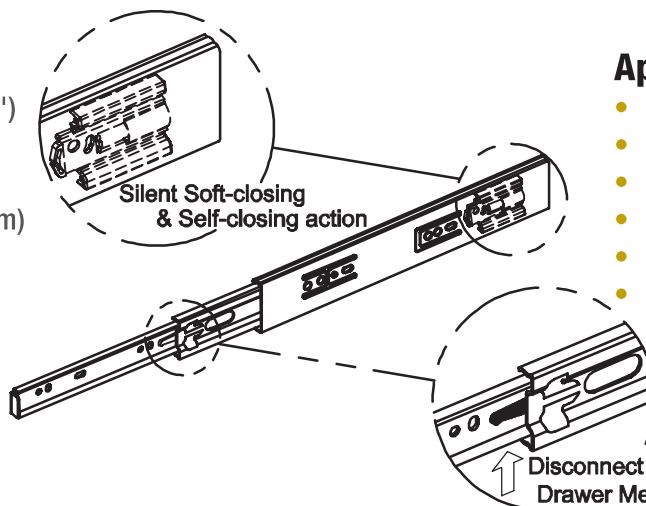
10/28/19

3M52 HIGHPOINT® Full Extension Soft-Close Ball Bearing Slide



Specifications

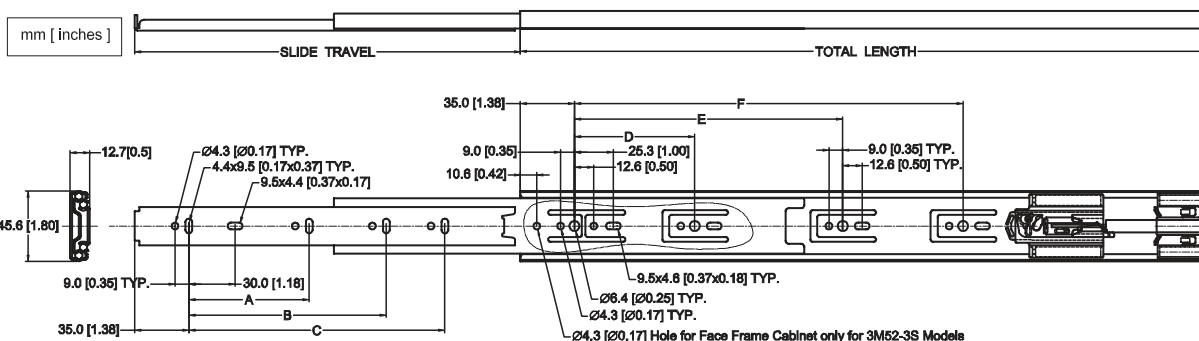
- Length: 350mm to 550mm (14" to 22")
- Profile: 45.6mm x 12.7mm
- Travel: Full Extension
- Side Space: 13mm (+0.5mm – -0.3mm)
- Height: 45.6mm (1.80")
- Max Loading: 34 kg (75 lbs.)/pair
- Mount: Side Mount
- Disconnect: Lever Disconnect
- Finish: Clear Zinc
- Material: Cold Rolled Steel



Applications

- Medical Equipment
- Industrial Workstations
- Office Furniture
- Kitchen Furniture
- Home Cabinets
- Box Drawers

Dimension Specifications



| Item No. | Slide Length mm (inch) | Slide Travel mm (inch) | Loading Capacity kg (lbs.)/pair | Hole Position mm (inch) | | | | | |
|----------|---------------------------|---------------------------|---------------------------------------|-------------------------|-------------|-------------|------------|-------------|------------|
| | | | | A | B | C | D | E | F |
| 3M52-350 | 352 (13.86) | 345 (13.58) | 25 (55) | 128 (5.04) | 224 (8.82) | — | 128 (5.04) | — | — |
| 3M52-400 | 402 (15.83) | 400 (15.75) | 29 (65) | 128 (5.04) | 256 (10.08) | — | 128 (5.04) | 192 (7.56) | — |
| 3M52-450 | 452 (17.80) | 450 (17.72) | 34 (75) | 128 (5.04) | 320 (12.6) | — | 128 (5.04) | 256 (10.08) | — |
| 3M52-500 | 502 (19.76) | 500 (19.69) | 34 (75) | 128 (5.04) | 224 (8.82) | 352 (13.86) | 128 (5.04) | 256 (10.08) | — |
| 3M52-550 | 552 (21.73) | 550 (21.65) | 32 (70) | 128 (5.04) | 256 (10.08) | 384 (15.12) | 128 (5.04) | 224 (8.82) | 320 (12.6) |

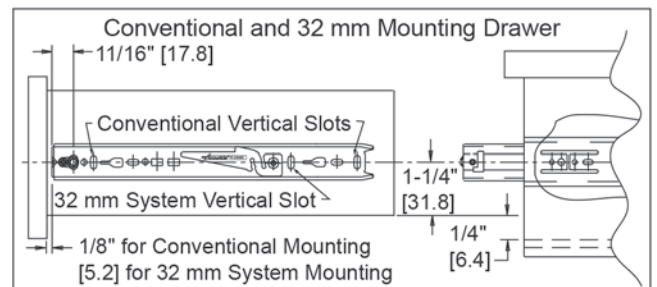
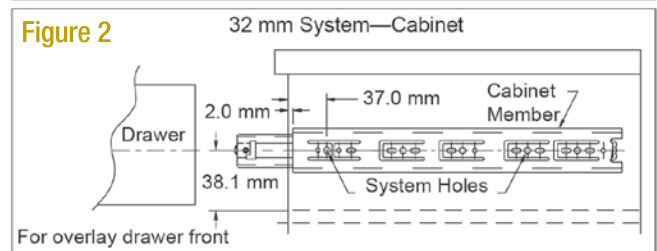
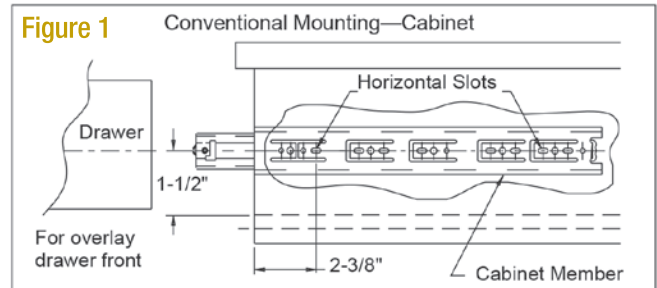
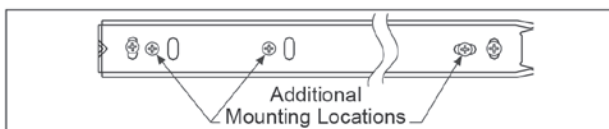
3M52 HIGHPOINT® Full Extension Soft-Close Ball Bearing Slide

Install Cabinet Member

1. Separate slide members by lifting up the left-hand disconnect lever and pushing down the right-hand lever.
2. Install the cabinet (large) member first. For applications with an overlay drawer front, refer to Figure 1 for conventional mounting and Figure 2 for 32mm system mounting. For applications with an inset drawer front, set the slide back the thickness of the drawer front plus $\frac{1}{8}$ " (3.2mm).

Install Drawer Member

3. Install the drawer member with a screw through the oval hold at the front and through a hole at the rear.
4. Make sure the ball bearing retainers in the cabinet side are fully forward. Install the drawer into the cabinet. Close the drawer.
5. Adjust the drawer for final fit, using screws in the oval holes, then proceed to step 6.
6. Install additional set screws to secure.



NOTE: Install drawer pulls or knobs after the set screws are in place.

