

Product #169965, 169966, 169967, 169968, 169969

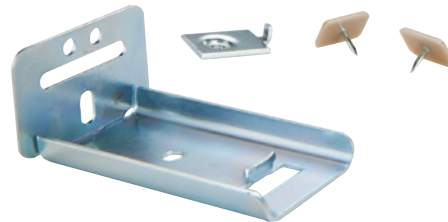
10/25/19

22004 HIGHPOINT® ¾ Extension Center Mount Ball Bearing Slide



Specifications

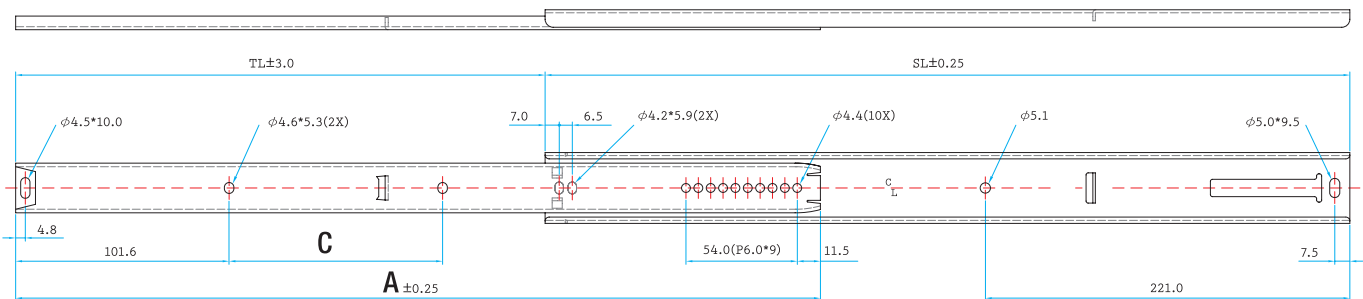
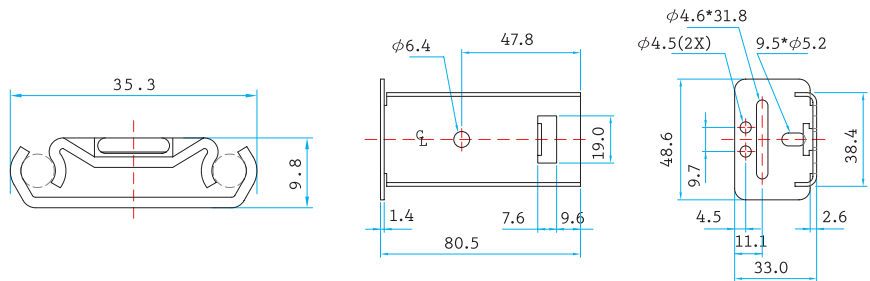
- Length: 350mm to 550mm (14" to 22")
- Profile: 35.3mm x 9.8mm
- Travel: ¾ Extension
- Side Space: 3mm (+0.5mm – -0.3mm)
- Height: 9.8mm (0.375")
- Max. Loading: 11 kg (25 lbs.)
- Mount: Center Mount
- Disconnect: Friction Disconnect
- Finish: Clear Zinc
- Material: Cold Rolled Steel



Applications

- Office Furniture
- Kitchen Furniture
- Home Cabinets
- Box Drawers

Dimension Specifications



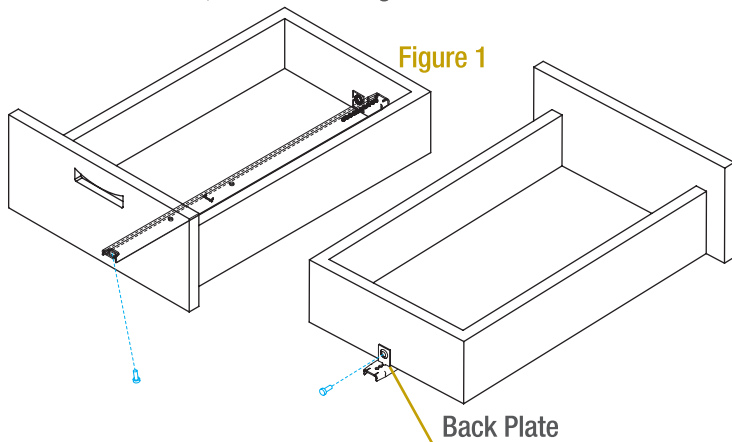
NOTE: Holes other than those shown may be in the slide member at Repon's option and may change without notice.

Item No.	Slide Length mm (inch)	Slide Travel mm (inch)	Loading Capacity kg (lbs.)/pair	Hole Position mm (inch)	
				A	C
22004-350	352.85 (13.89)	266.7 (10.5)	11 (25)	352.35 (13.9)	101.6 (4)
22004-400	403.65 (15.89)	304.8 (12)	11 (25)	403.15 (15.9)	101.6 (4)
22004-450	454.45 (17.89)	340.8 (13.4)	11 (25)	453.95 (17.9)	101.6 (4)
22004-500	505.25 (19.89)	378.3 (14.9)	11 (25)	504.75 (19.9)	101.6 (4)
22004-550	556.05 (21.89)	419.1 (16.5)	11 (25)	555.55 (21.9)	101.6 (4)

22004 HIGHPOINT® 3/4 Extension Center Mount Ball Bearing Slide

Install Drawer Member

1. Separate slide members by opening the slide until the detent is reached. Continue to pull the two members apart. This will take some extra force.
2. Place the drawer member (narrow piece) on the center of the drawer bottom, as shown in Figure 1.

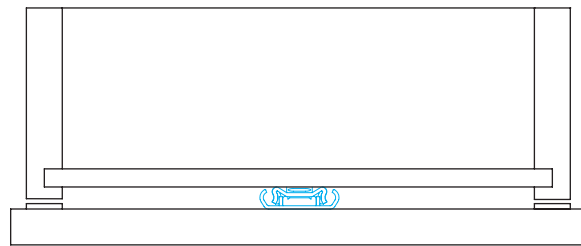


3. With the slide member against the back side of the drawer front, screw the front of the slide to the back of the drawer front. Use the back plate or hole closest to the drawer back to secure the slide to the drawer back.

Install Cabinet Member

4. Slide the rear mounting bracket onto the rear of the cabinet slide shown in Figure 3.
 - a. Position the cabinet member on the centerline of the cabinet opening with the front of the member flush with the front edge of the opening.
 - b. For an inset drawer front move the slide back from the front edge of the opening by the thickness of the drawer front.
 - c. Screw the front of the slide to the cabinet.
5. With the slide square and level to the face of the cabinet, screw the rear bracket to the cabinet back through the horizontal hole shown in Figure 3. Install one nylon glide on either side of the opening, placing them under the drawer sides.

Technical Specifications for Drawer



Add Shim To
 Clear The Tacks
 If Necessary.

6. Insert the drawer placing the drawer member into the cabinet member. Make sure the ball retainer is in the forward position, as shown in Figure 3. Push the drawer all the way to the closed position. If the drawer is tight, loosen the front mounting screw on the cabinet member and add shims as necessary then retighten. See Figure 2.

