

Product #160239, 160240, 160241, 160242, 160243, 160244, 160245, 160246, 160247

09/04/19

HIGHPOINT® Full Extension Ball Bearing Slide—Standard Type 3M01

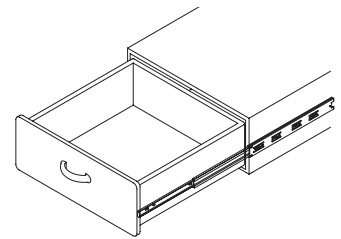
Specifications

- Length: 250mm to 650mm (10" to 40")
- Profile: 45.6mm x 12.7mm
- Travel: Full Extension
- Side Space: 12.7mm (+0.5mm-0mm)
- Height: 45.6mm (1.80")
- Max. Loading: 45 kg (100 lbs)
- Mount: Side Mount
- Disconnect: Lever Disconnect
- Finish: Clear Zinc
- Material: Cold Rolled Steel

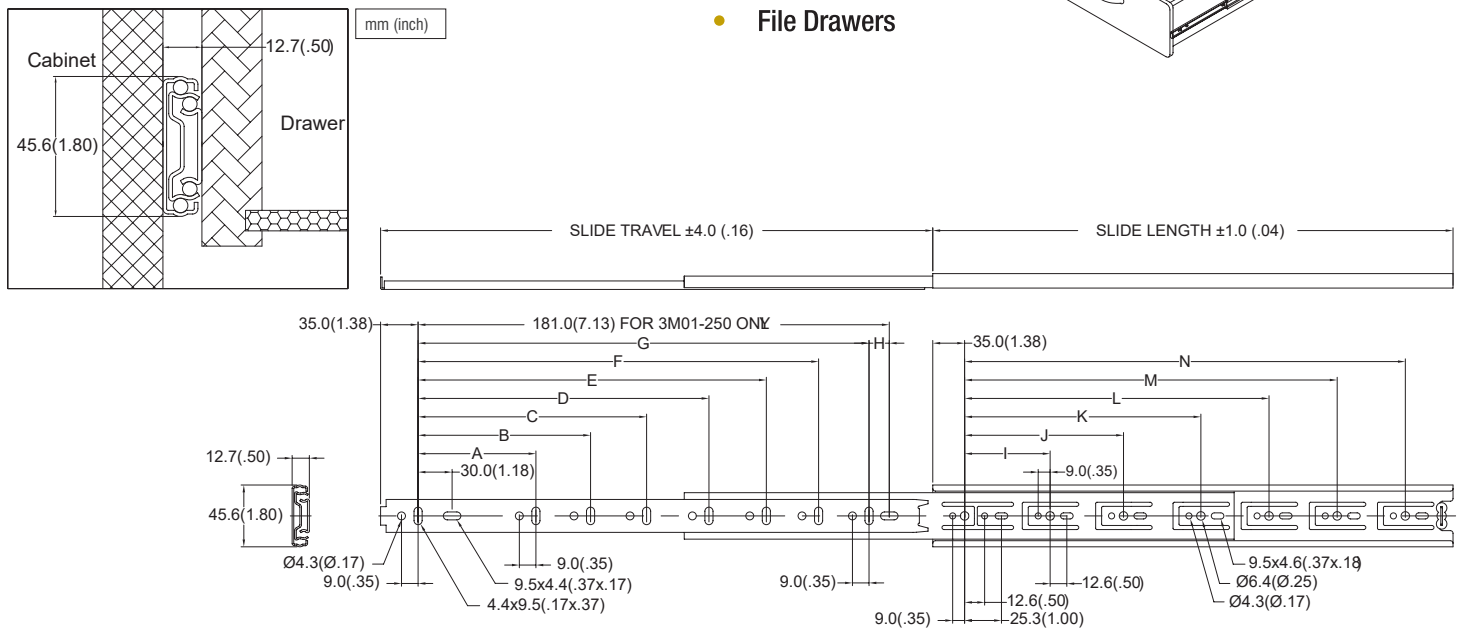


Applications

- Kitchen Furniture
- Home Cabinets
- Box Drawers
- Desk Drawers
- Storage Drawers
- File Drawers



Dimension Specifications



Note: Holes other than those shown may be in the slide member at King Slide's option and may change without notice.

| Item No. | Slide Length mm (inch) | Slide Travel mm (inch) | Loading Capacity kg (lb) / pair | Holes Position mm (inch) | | | | | | | | | | | |
|----------|---------------------------|---------------------------|---------------------------------------|--------------------------|---------------|---------------|----|---------------|-------------|--------------|--------------|---------------|---|---|---------------|
| | | | | AB | CD | EF | GH | IJ | KL | MN | | | | | |
| 3M01-250 | 250.0 (9.84) | 256.7 (10.11) | 22.7 (50.0) | 96.0 (3.78) | — | — | — | — | — | — | — | — | — | — | 160.0 (6.30) |
| 3M01-300 | 300.0 (11.81) | 306.7 (12.07) | 27.3 (60.0) | 128.0 (5.04) | — | — | — | 220.0 (8.66) | 11.0 (0.43) | 128.0 (5.04) | — | — | — | — | 224.0 (8.82) |
| 3M01-350 | 350.0 (13.78) | 356.7 (14.04) | 34.1 (75.0) | 128.0 (5.04) | — | — | — | 270.0 (10.63) | 11.0 (0.43) | 128.0 (5.04) | — | — | — | — | 224.0 (8.82) |
| 3M01-400 | 400.0 (15.75) | 406.7 (16.01) | 45.4 (100.0) | 128.0 (5.04) | — | — | — | 320.0 (12.60) | 11.0 (0.43) | 128.0 (5.04) | 224.0 (8.82) | — | — | — | 320.0 (12.60) |
| 3M01-450 | 450.0 (17.72) | 456.7 (17.98) | 45.4 (100.0) | 128.0 (5.04) | 320.0 (12.60) | — | — | 370.0 (14.57) | 11.0 (0.43) | 128.0 (5.04) | 224.0 (8.82) | — | — | — | 352.0 (13.86) |
| 3M01-500 | 500.0 (19.69) | 506.7 (19.95) | 45.4 (100.0) | 128.0 (5.04) | 224.0 (8.82) | 320.0 (12.60) | — | 416.0 (16.38) | 11.0 (0.43) | 128.0 (5.04) | 224.0 (8.82) | — | — | — | 416.0 (16.38) |
| 3M01-550 | 550.0 (21.65) | 556.7 (21.92) | 45.4 (100.0) | 128.0 (5.04) | 224.0 (8.82) | 416.0 (16.38) | — | 470.0 (18.53) | 11.0 (0.43) | 128.0 (5.04) | 224.0 (8.82) | 352.0 (13.86) | — | — | 448.0 (17.64) |
| 3M01-600 | 600.0 (23.62) | 606.7 (23.89) | 38.6 (85.0) | 128.0 (5.04) | 224.0 (8.82) | 416.0 (16.38) | — | 520.0 (20.47) | 11.0 (0.43) | 128.0 (5.04) | 224.0 (8.82) | 352.0 (13.86) | — | — | 480.0 (18.90) |

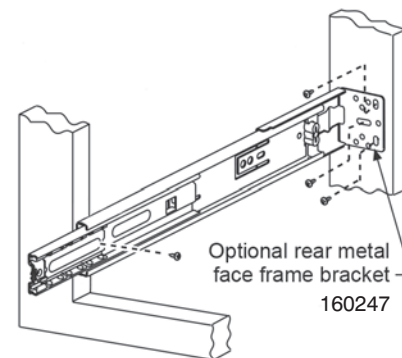
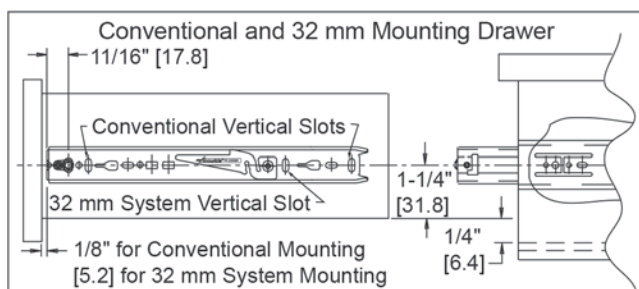
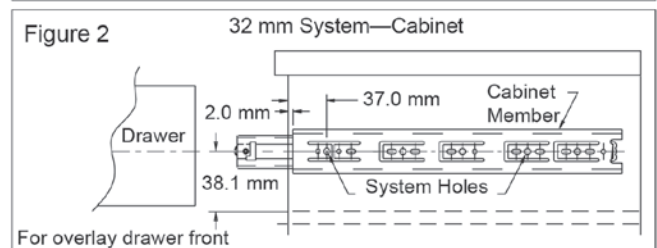
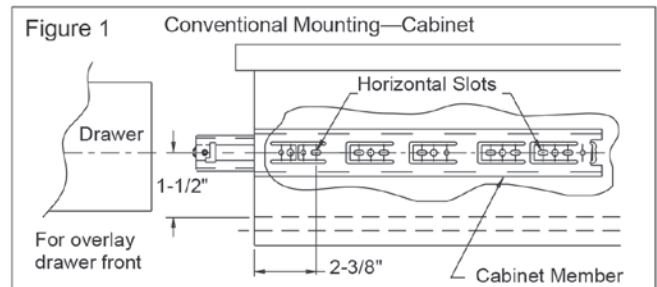
HIGHPOINT® Full Extension Ball Bearing Slide—Standard Type 3M01

Install Cabinet Member

1. Separate slide members by lifting up the left hand disconnect lever and pushing down the right hand lever.
2. Install large cabinet member first.
 - For conventional mounting, for applications with an overlay drawer front, refer to Figure 1.
 - See Figure 3 for 32mm mounting.
 - For applications with an inset drawer front, set the slide back the thickness of the drawer front plus $\frac{1}{8}$ " (3.2mm).

Install Drawer Member

3. Install the drawer member with a screw through the cam adjuster and through a hole or slot at the rear.



4. Make sure the ball bearing retainers in the cabinet side are fully forward. Install drawer into cabinet. Close the drawer.
5. Open the drawer and rotate the cam with a Phillips or Pozi screwdriver to vertically position the drawer in relation to the cabinet.



6. Install additional set screws to secure.

NOTE: Install drawer pulls or knobs AFTER set screws are in place.