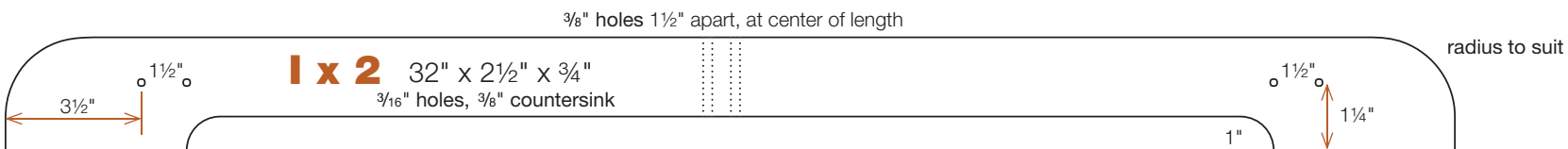
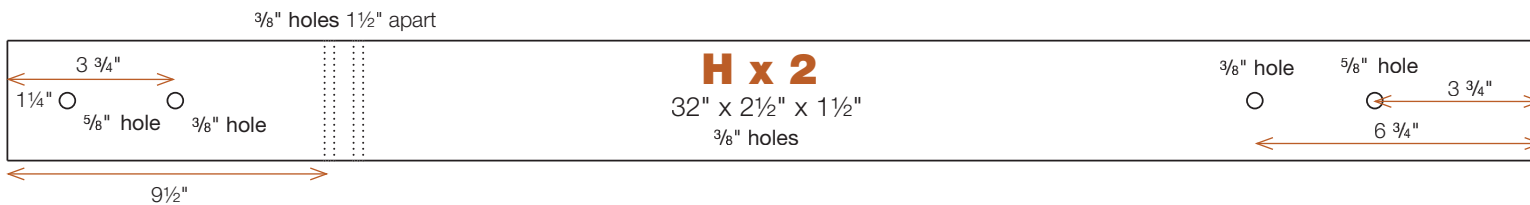
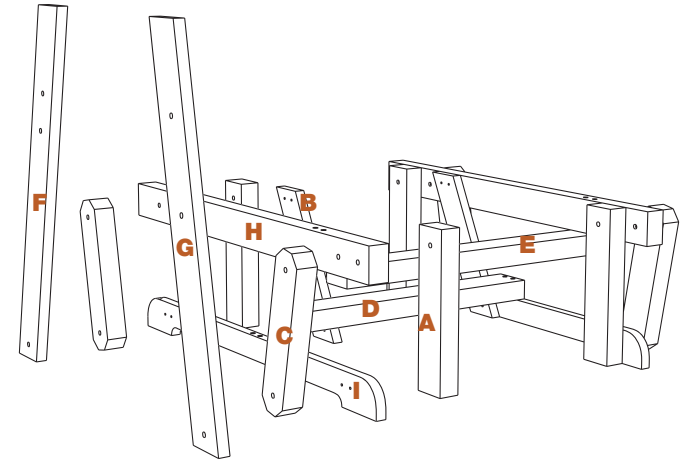
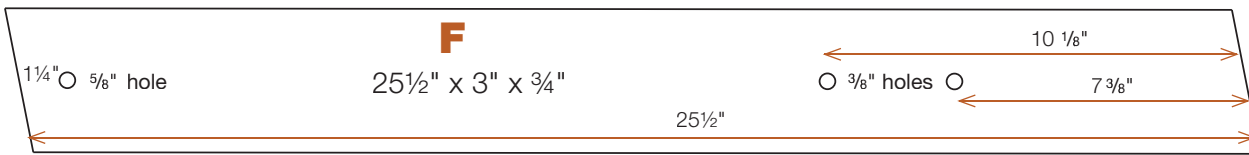


(All hole locations are centered unless otherwise noted; distances from edges are to the centers of holes.)



(All outlines are 1/4 scale; enlarge by 400% for final size.)

PROJECT NUMBER **53**

GLIDER FOR ONE

SCALED OUTLINES AND SUPPLEMENTAL MEASUREMENTS FOR CRADLE ASSEMBLY