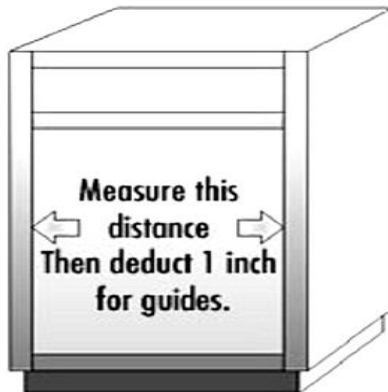


# ROLLING SHELVES

**STEP 1:** MEASURE CABINET OPENING WIDTH IN THE CABINET WHERE THE SHELF WILL MOUNT.

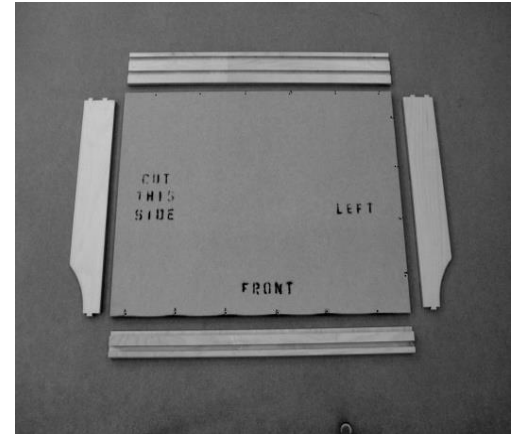
**STEP 2:** DEDUCT 1" FROM THE **SMALLEST WIDTH** CABINET OPENING (THIS IS THE DEDUCTION FOR THE DRAWER GUIDES).

**NOTE:** IF YOUR CABINET HAS 2 DOORS AND THE DOORS **OR** HINGES PROTRUDE INTO THE CABINET OPENING, SUBTRACT 1" FROM THAT FINAL WIDTH MEASUREMENT, FOR PROPER CLEARANCE.



## Suggested tools:

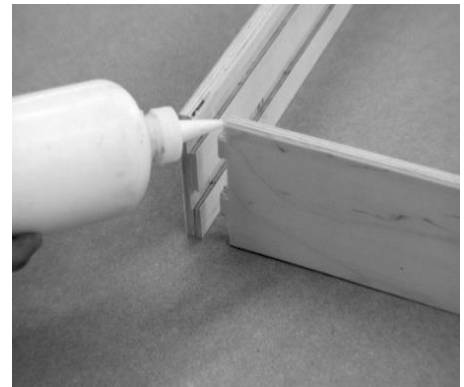
Drill, 3/32 or smaller drill bit, hammer, wood glue, Phillips screwdriver, Saw (table, saber, hand or miter) Small level, Safety glasses, tape measure



**STEP 3:** CUTTING PARTS TO SIZE: CUT FRONT, BACK, AND BOTTOM TO DIMENSIONS YOU MEASURED. DO **NOT CUT** THE SIDES!

**STEP 4:** ASSEMBLE SHELF

- APPLY WOOD GLUE TO DOVETAILED ON SIDES.
- SLIDE THE TWO SIDE PIECES INTO BACK.
- REPEAT STEPS A AND B FOR FRONT
- MAKE SURE THE BOX IS SQUARE BEFORE GLUE DRIES.



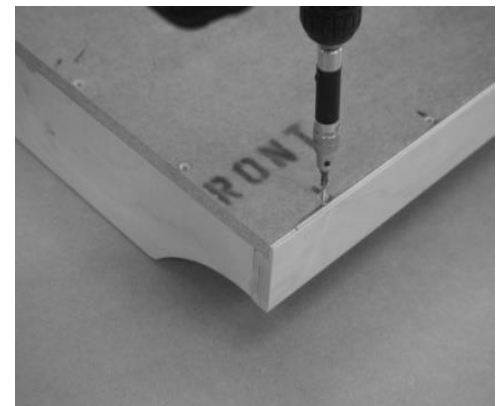
**STEP 5:** FINISHING: (IF YOU PURCHASED A FACTORY FINISHED SHELF, SKIP TO STEP 6).

DRAWER CAN BE LEFT IN FACTORY CONDITION OR YOU CAN SAND, STAIN AND OR PAINT IF DESIRED.

**STEP 6:** DRILL BOTTOM AND ATTACH.

DRILL HOLES AROUND PERIMETER OF THE BOTTOM. HOLES FOR THE ENCLOSED SCREWS TO BE POSITIONED 2-3" APART.

- FLUSH BOTTOM WITH FRONT LIP OF FRONT PIECE AND FLUSH LEFT AND RIGHT SIDES. FASTEN USING SCREWS THROUGH ALL HOLES. START WITH THE FRONT EDGE OF THE SHELF.



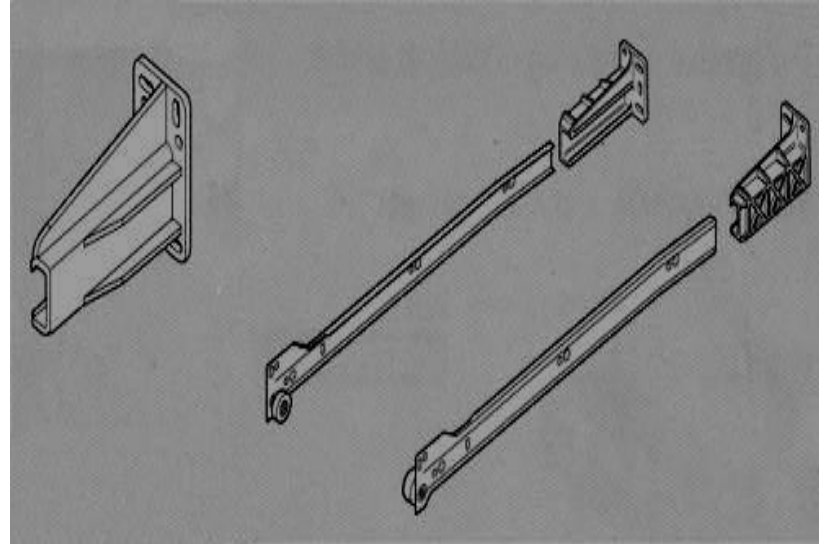
**STEP 7:** APPLY GUIDES TO SHELF.

- THE GUIDES ARE MARKED R (RIGHT) OR L (LEFT). HOLD LEFT GUIDE ON LEFT SIDE AND FLUSH WITH FRONT OF SHELF. (THE WHEEL ON THE GUIDE SHOULD BE IN THE BACK OF THE SHELF WHEN INSTALLED CORRECTLY). INSERT 3 - 5/8" SCREWS THROUGH GUIDE INTO BOTTOM. MAKE SURE GUIDES ARE TIGHT AGAINST SIDE AND FLUSH WITH FRONT.

**STEP 8:** INSTALL GUIDES INTO CABINET

- START WITH SHELF THAT WILL MOUNT AT BOTTOM OF CABINET
- ATTACH LEFT MOUNTING SOCKET TO REAR OF GUIDE. 1 "R" BRACKET AND 1 "L" BRACKET ARE SUPPLIED.

**NOTE:** IF YOUR DOOR PROTRUDES NOW IS THE TIME TO USE THE SPACERS (PROVIDED) BY PLACING BEHIND GUIDES AND USING THE BLACK 1 1/2" SCREWS THROUGH GUIDE, SPACER AND INTO FACE FRAME.



- C) IF YOU DO NOT NEED TO USE SPACERS JUST ATTACH LEFT GUIDE TO FACE FRAME HOLDING GUIDE IN 1/8" FROM FRONT EDGE OF CABINET AND FASTEN USING 5/8" SCREWS.
- D) REPEAT STEPS B AND C FOR RIGHT SIDE.

**NOTE:** CHECK TO SEE IF YOU'RE CABINET HAS A BACK THICK AND STRONG ENOUGH TO SUPPORT THE SHELF IF NOT, ATTACH SOME 1/2" PLYWOOD TO THE WALL INSIDE OF THE CABINET AND FASTEN THE MOUNTING SOCKETS TO THE PLYWOOD. BEING SURE SOCKETS ARE PARALLEL TO FRONT END OF GUIDES.

**STEP 9:** WITH THE REAR MOUNT SOCKETS INSTALLED, PLACE A SMALL LEVEL ON TOP OF GUIDE AND ADJUST AS NEEDED TO MAKE IT LEVEL.  
NOW SET THE GUIDE SO IT IS SQUARE WITH THE BACK OF THE CABINET.  
SET ONE SCREW TO HOLD GUIDE IN PLACE. REPEAT FOR THE OTHER SIDE.

**STEP 10:** WITH STANDARD GUIDES--INSERT SHELF WITH GUIDES ATTACHED AT AN ANGLE AND INSERT INTO TOP FRONT CABINET MOUNTED SIDES. FULL EXTENSION GUIDES ARE INSERTED STRAIGHT IN.

**STEP 11:** SHELF SHOULD SLIDE FREELY BACK AND FORTH WITH NO RUBBING SOUNDS. IF THIS OCCURS ADJUST REAR MOUNTING SOCKETS IN OR OUT ACCORDINGLY.

**NOTE:** IF SHELF DOES NOT GO INTO THE ADJOINING SLIDES YOU MIGHT HAVE BUILT THE SHELF TOO LARGE. START AT STEP ONE AND CHECK YOUR PROCEDURES.

**STEP 12:** ONCE SHELVES SLIDE NICELY, INSERT 2 MORE SCREWS IN EACH REAR MOUNTING SOCKET TO SECURE.

