



Full Extension Ball Bearing Slide-Standard Type DC3600

Product #160609, 160610, 160611, 160612, 160613, 160614, 160615, 160616, 160617



Specifications

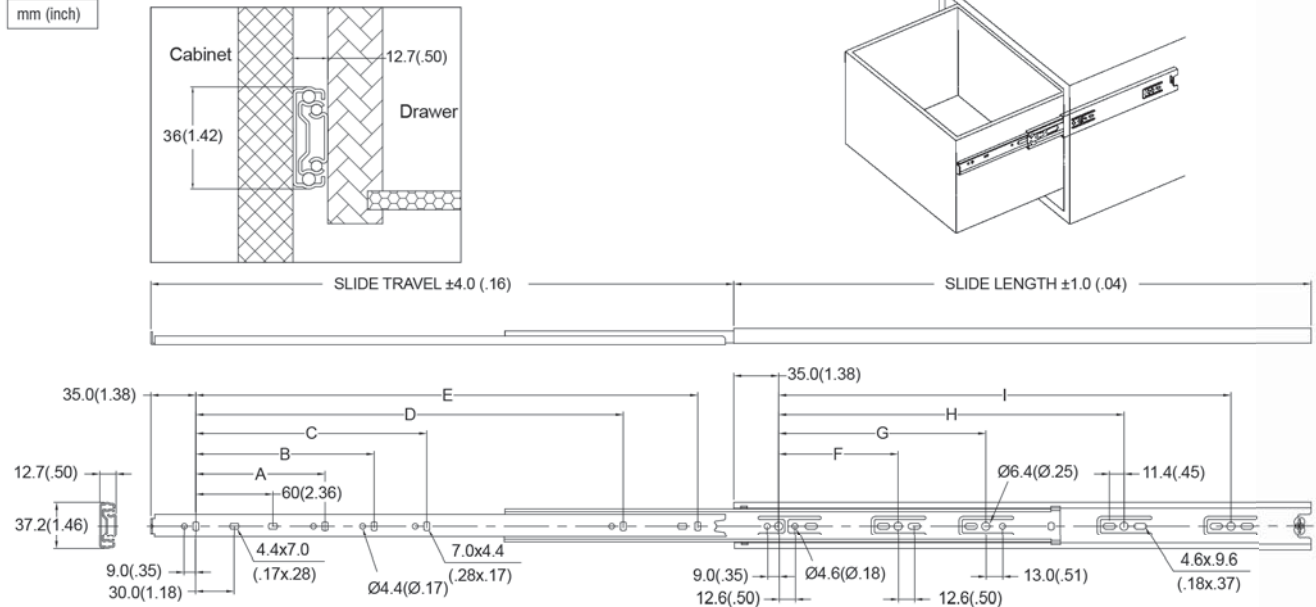
- **Length:** 300mm to 600mm (12" to 26")
- **Profile:** 36mm x 12.7mm
- **Travel:** Full Extension
- **Side Space:** 12.7mm (+0.5mm-0mm)
- **Height:** 36mm (1.42")
- **Max. Loading:** 34 kg (75 lb)
- **Mount:** Side Mount
- **Disconnect:** Clip Disconnect
- **Finish:** Clear Zinc or Black
- **Material:** Cold Rolled Steel

Applications

- Home Cabinets, Box Drawers, Desk and Storage Drawers and File Drawers

Dimension Specifications

mm (inch)



Note: Holes other than those shown may be in the slide member at King Slide's option and may change without notice.

Item No.	Slide Length mm (inch)	Slide Travel mm (inch)	Loading Capacity kg (lb) / pair	Holes Position mm (inch)								
				A	B	C	D	E	F	G	H	I
3J01-250	250.0 (9.84)	255.0 (10.04)	17.5 (38.0)	—	—	—	—	192.0 (7.56)	160.0 (6.30)	—	—	—
3J01-300	300.0 (11.81)	313.0 (12.32)	20.7 (45.0)	128.0 (5.04)	—	—	—	242.0 (9.53)	128.0 (5.04)	224.0 (8.82)	—	—
3J01-350	350.0 (13.78)	363.0 (14.30)	25.7 (56.0)	128.0 (5.04)	—	—	—	292.0 (11.50)	128.0 (5.04)	224.0 (8.82)	—	—
3J01-400	400.0 (15.75)	405.0 (15.94)	34.5 (75.0)	128.0 (5.04)	—	320.0 (12.60)	—	342.0 (13.46)	128.0 (5.04)	224.0 (8.82)	320.0 (12.60)	—
3J01-450	450.0 (17.72)	455.0 (17.91)	34.5 (75.0)	128.0 (5.04)	—	320.0 (12.60)	—	392.0 (15.43)	128.0 (5.04)	224.0 (8.82)	352.0 (13.86)	—
3J01-500	500.0 (19.69)	505.0 (19.88)	34.5 (75.0)	128.0 (5.04)	—	320.0 (12.60)	416.0 (16.38)	442.0 (17.40)	128.0 (5.04)	224.0 (8.82)	416.0 (16.38)	—
3J01-550	550.0 (21.65)	555.0 (21.85)	34.5 (75.0)	128.0 (5.04)	—	320.0 (12.60)	416.0 (16.38)	492.0 (19.37)	128.0 (5.04)	224.0 (8.82)	352.0 (13.86)	448.0 (17.64)
3J01-600	600.0 (23.62)	605.0 (23.82)	29.5 (64.0)	128.0 (5.04)	224.0 (8.82)	416.0 (16.38)	—	542.0 (21.34)	128.0 (5.04)	224.0 (8.82)	352.0 (13.86)	480.0 (18.90)
3J01-650	650.0 (25.59)	655.0 (25.79)	24.4 (53.0)	128.0 (5.04)	224.0 (8.82)	416.0 (16.38)	544.0 (21.42)	592.0 (23.31)	128.0 (5.04)	224.0 (8.82)	352.0 (13.86)	544.0 (21.42)



Full Extension Ball Bearing Slide-Standard Type DC3600

Product #160609, 160610, 160611, 160612, 160613, 160614, 160615, 160616, 160617

Installation Instructions

1. Separate slide members by pushing the disconnect latch into the drawer member.
2. Install large cabinet members. For conventional mounting see Figure 1. See Figure 3 for 32 mm mounting.
3. Check that both cabinet members are vertically and horizontally parallel. Make necessary adjustments.
4. Install drawer member through vertical slots. See Figure 2 for conventional and 32 mm mounting.
5. Insert drawer member after making sure ball bearing retainers are fully forward. Close drawer completely.
6. Adjust position and install two more screws in round holes in each member.

