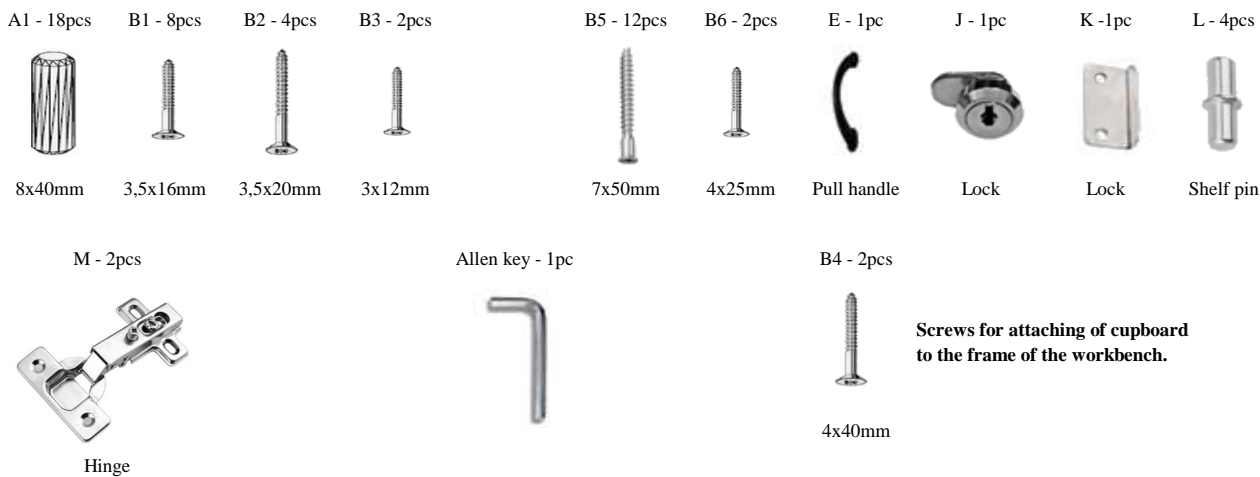


## Assembly Instructions - Cupboard PRO-I

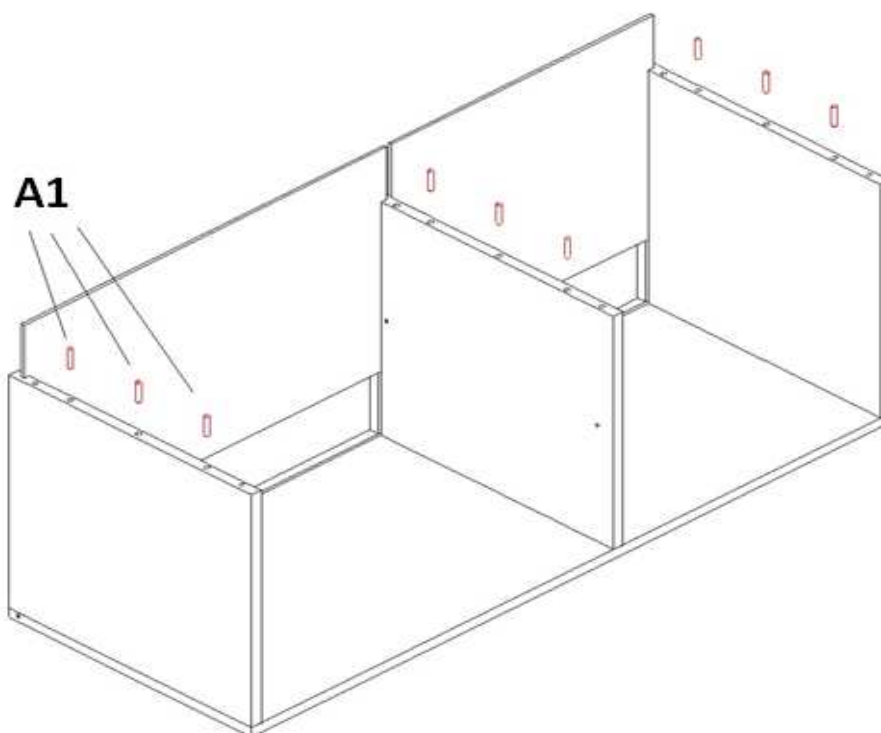
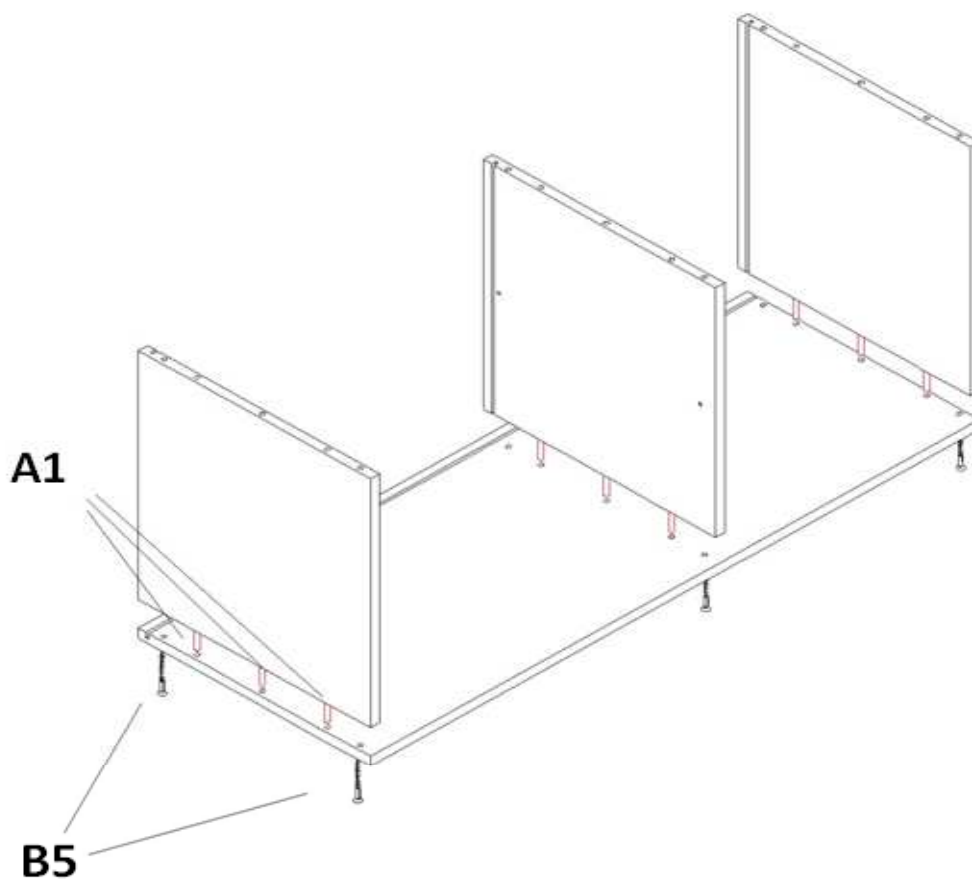


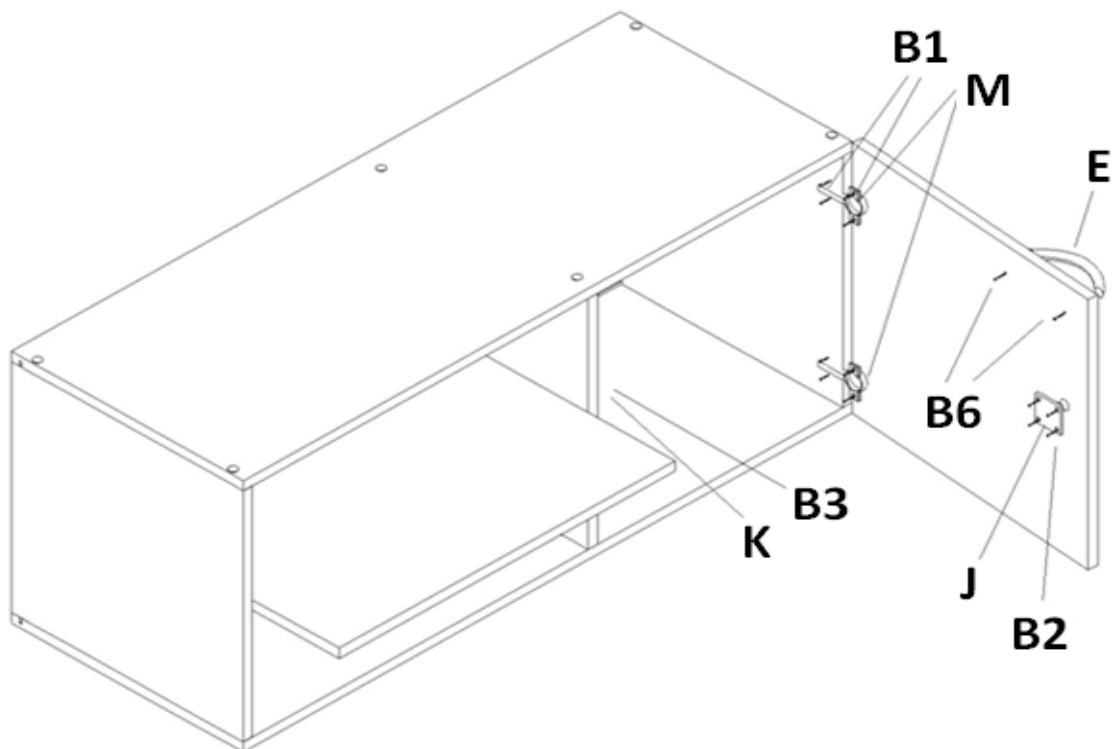
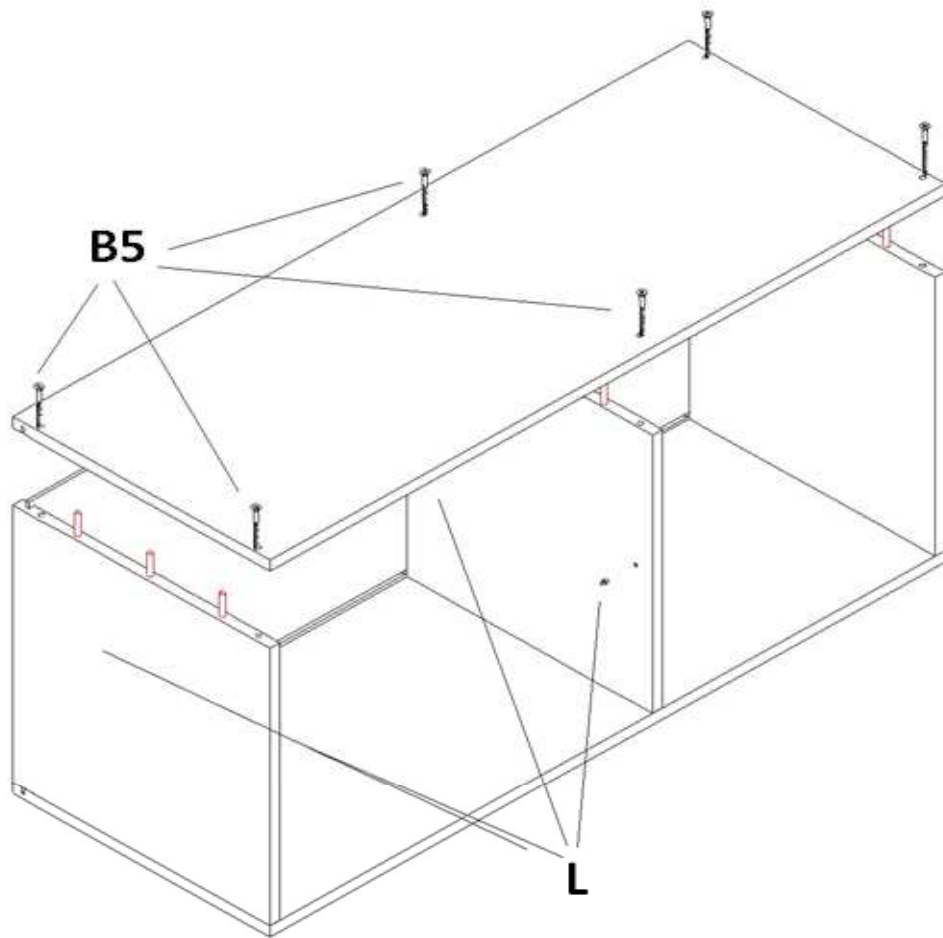
Attention:



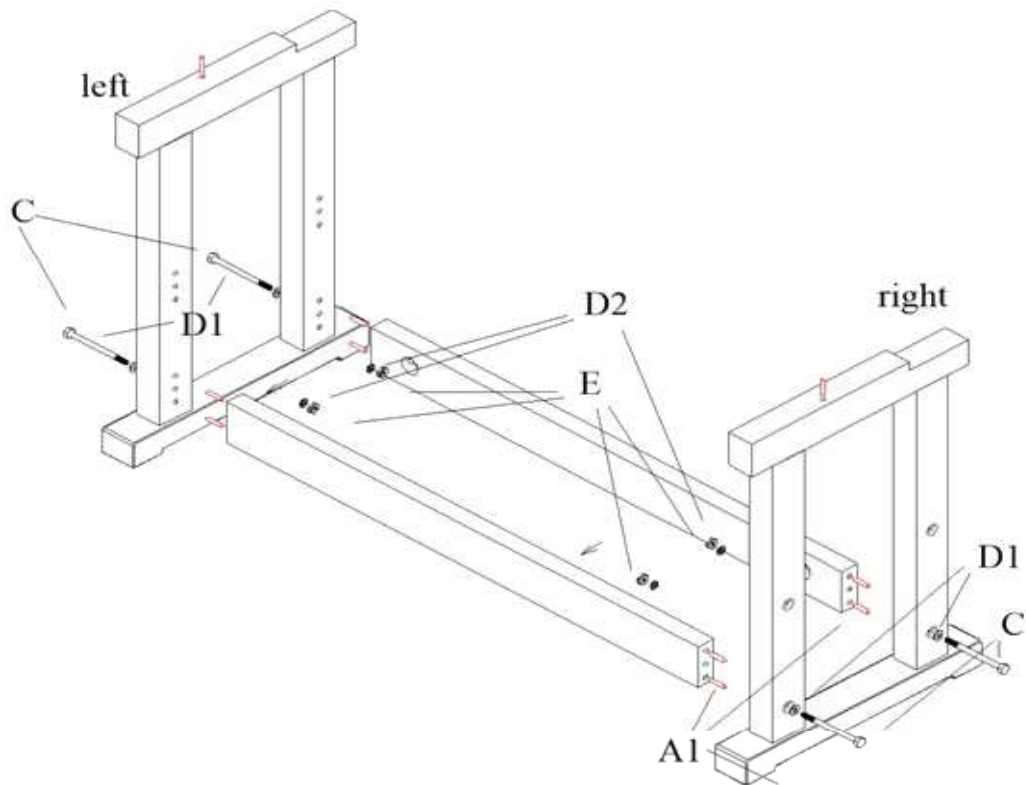
Storage cupboard is made from high quality laminated chipboard for maximum resistance and long service life .







## Frame assembly for using storage cupboard PRO-I or PRO-II



Place (insert) the cupboard on the lower stretchers of bench frame and attach the cupboard by B4 - 4x40mm screws.  
**Hint: don't glue dowels of the stretchers of bench frame. Dowel has only guide function.**

