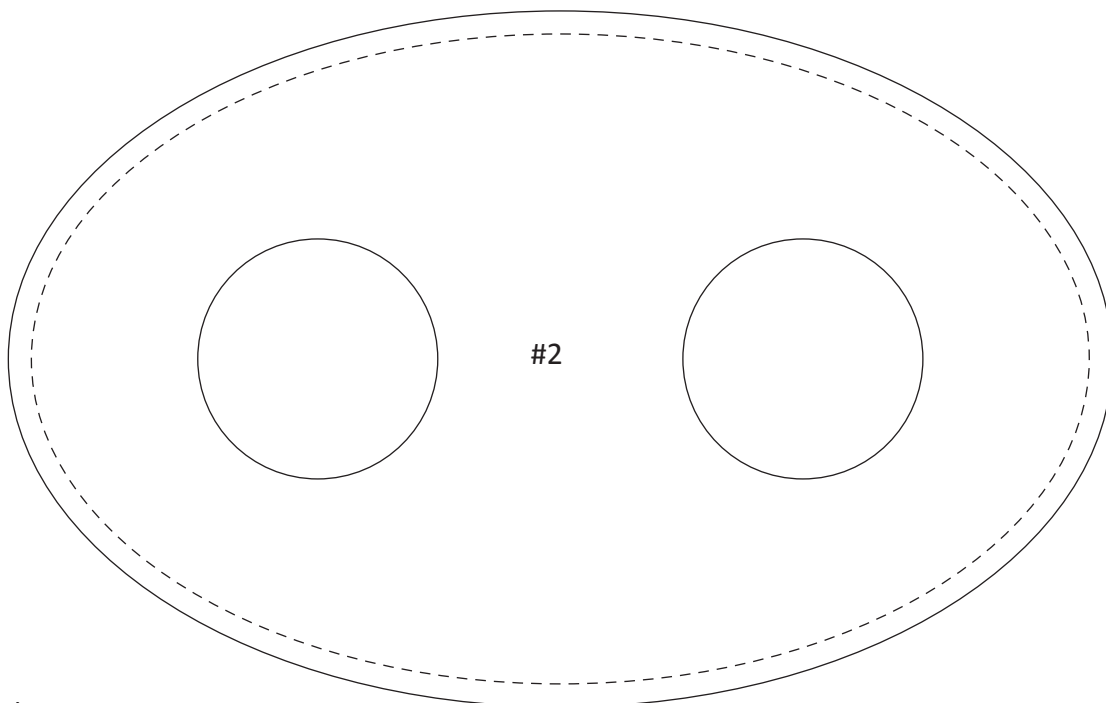
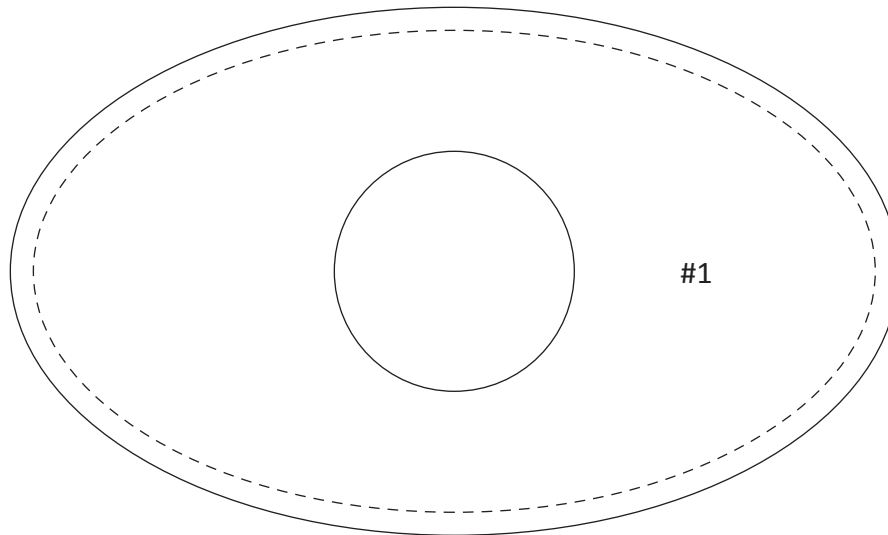
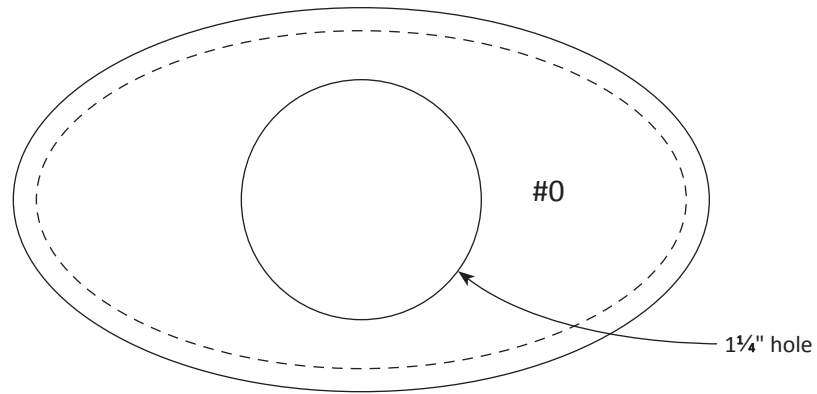
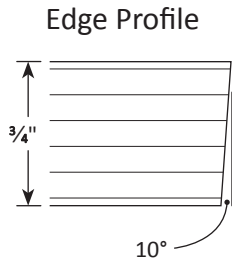
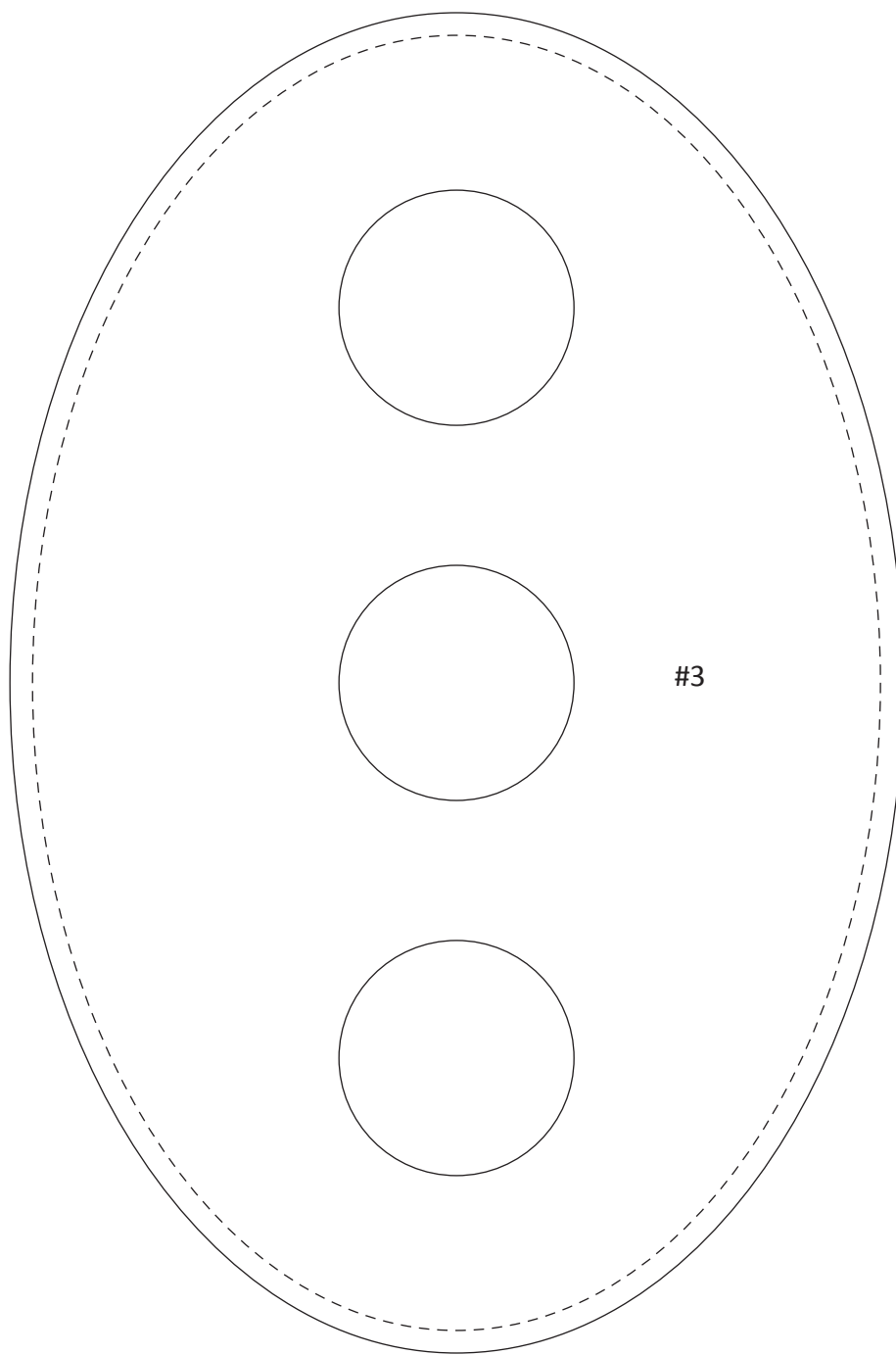
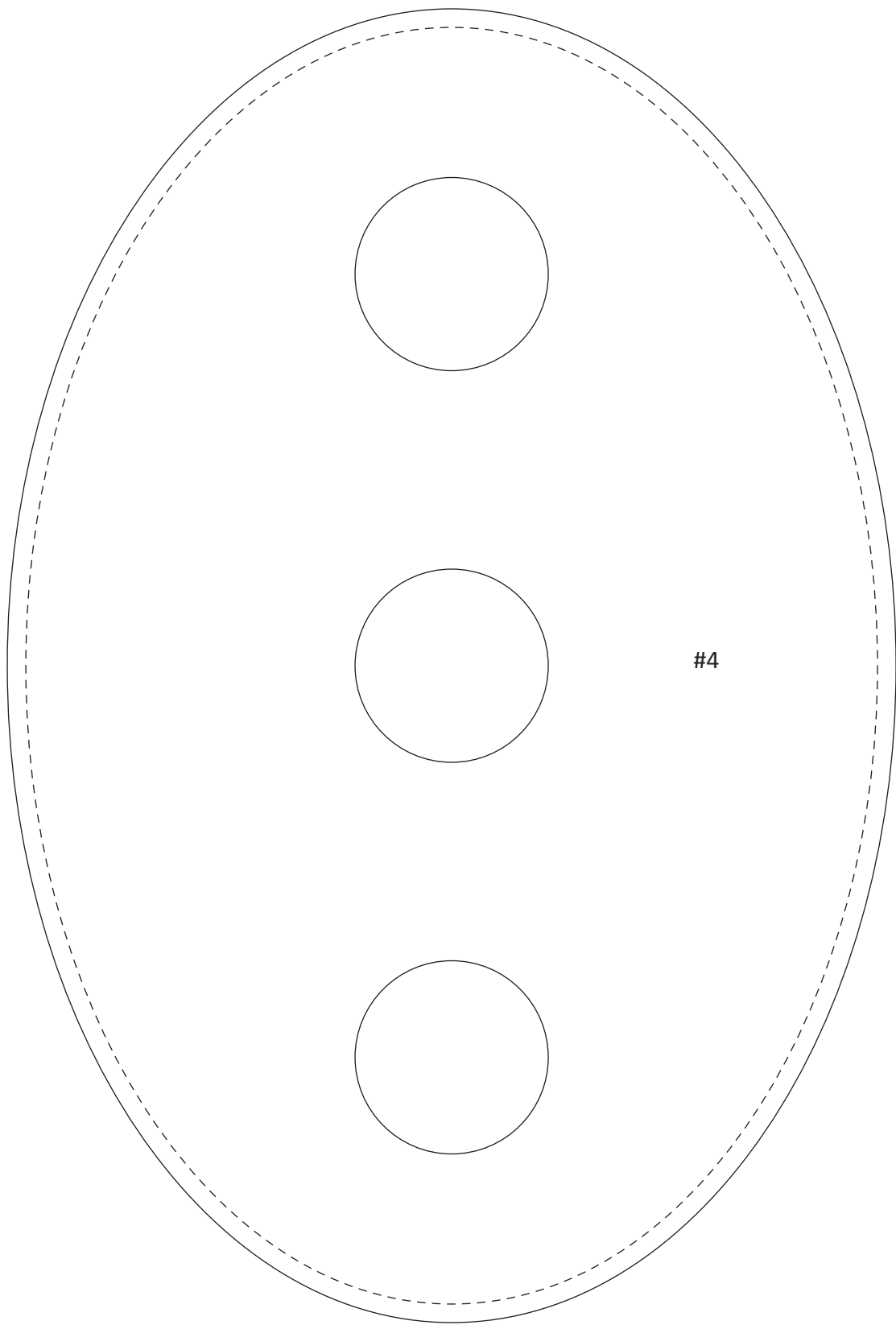


Shaper Patterns for Shaker Lidded Boxes



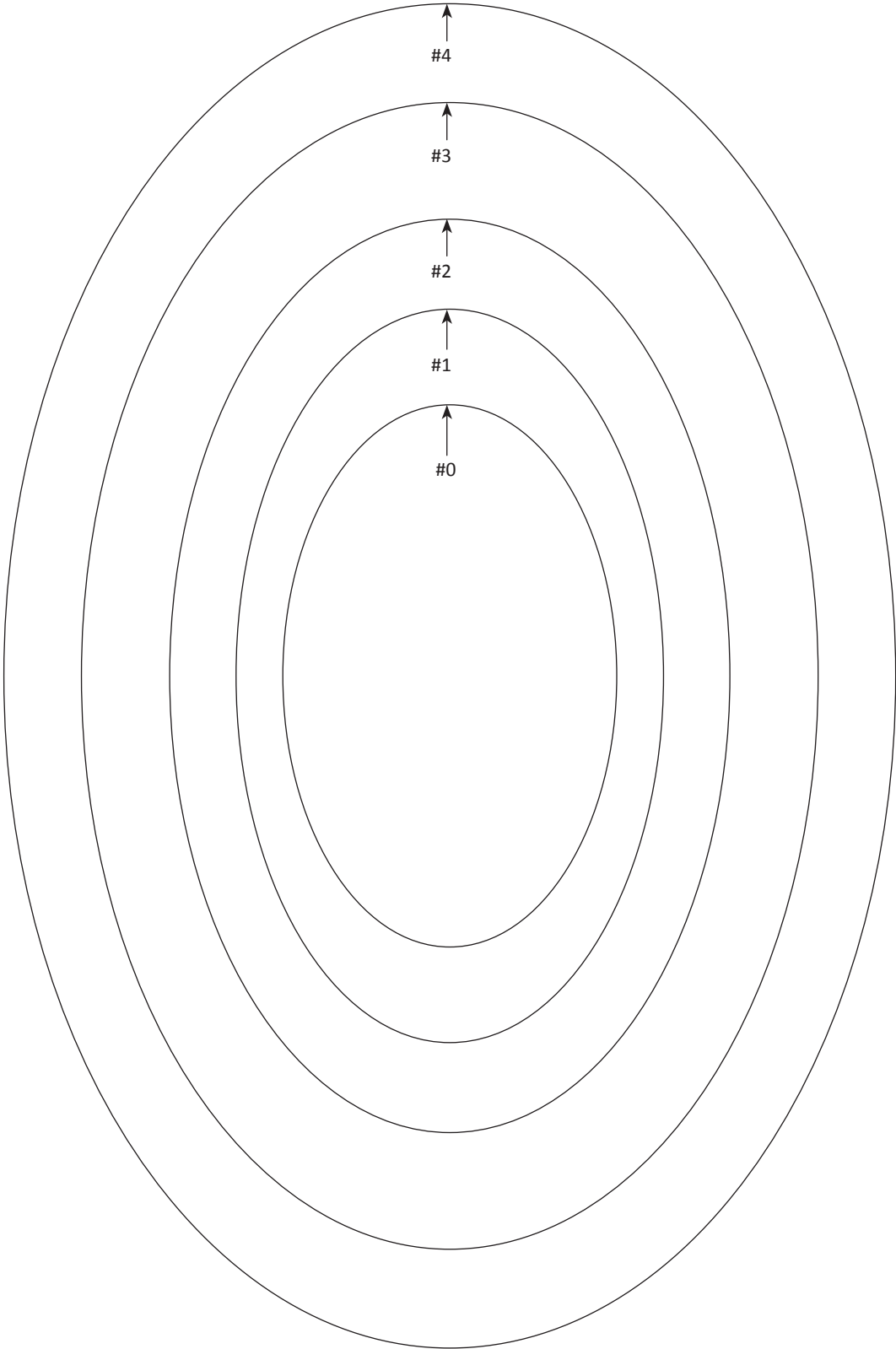
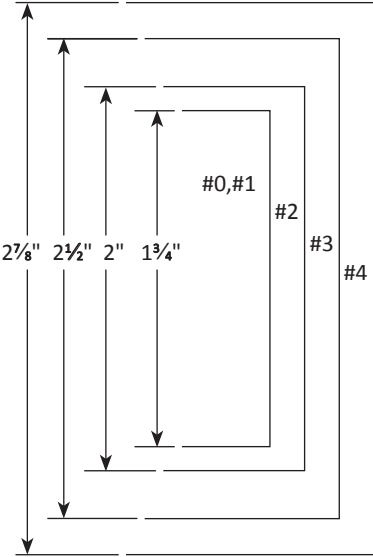
Note: Make two of each shaper sizes.





Core Patterns for Shaker
Lidded Boxes (Full Size)

Core Thicknesses:



Finger Patterns

