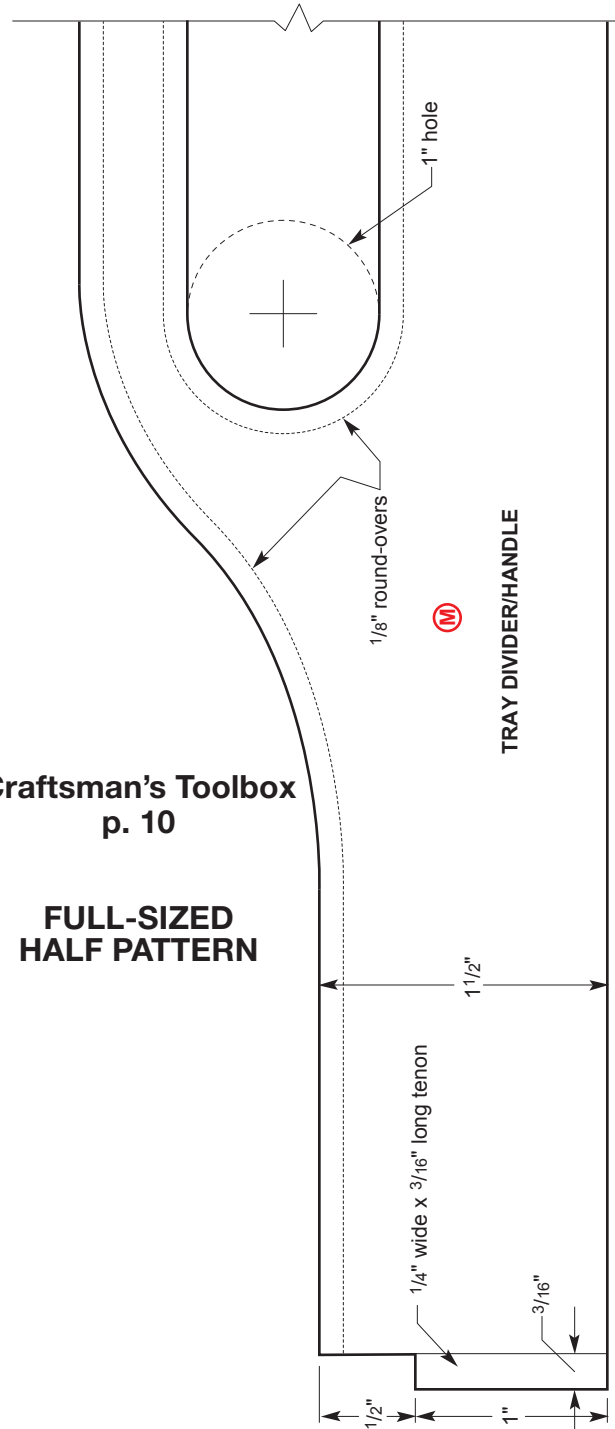


Craftsman's Toolbox
p. 10

FULL-SIZED PATTERN



Craftsman's Toolbox
p. 10

FULL-SIZED HALF PATTERN

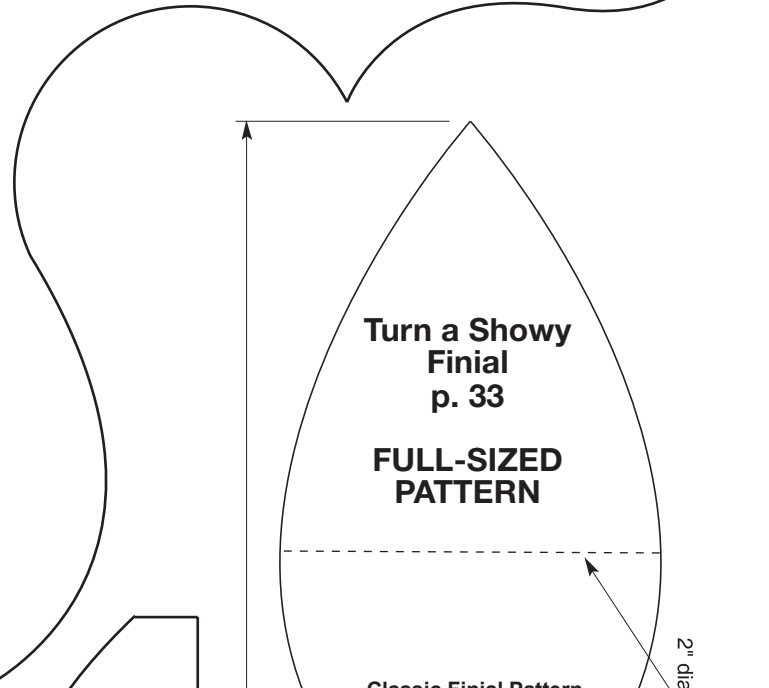
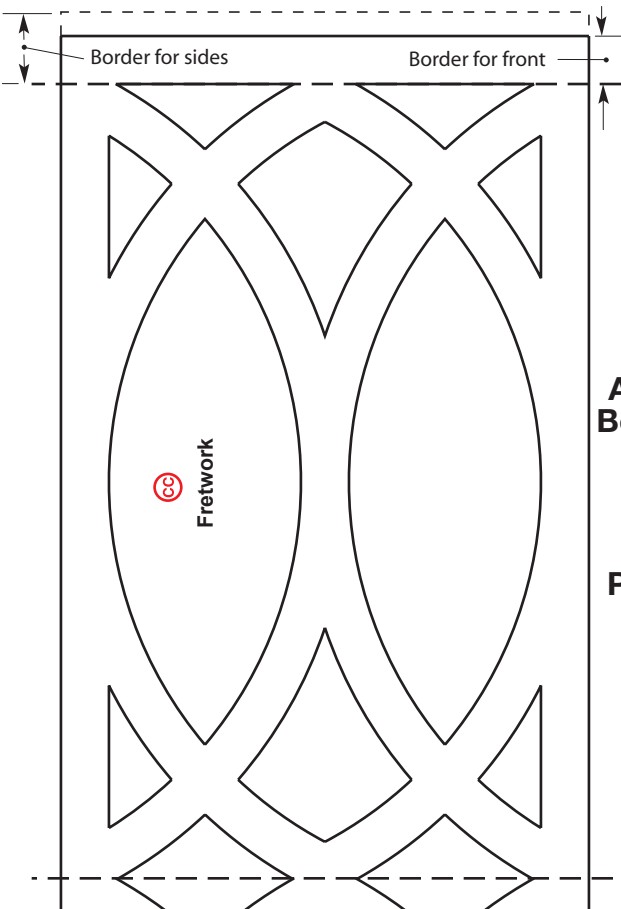
PATTERNS

Foot



**A Classic Book Case
p. 24**

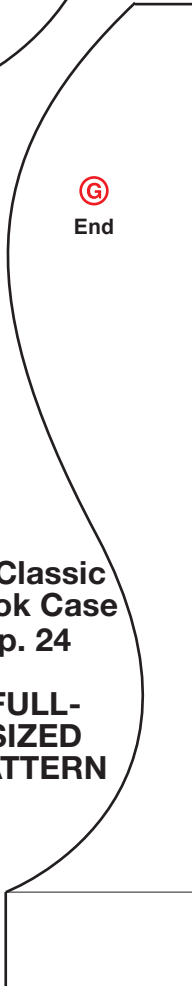
**FULL-SIZED
PATTERN**



**Turn a Showy
Finial
p. 33**

**FULL-SIZED
PATTERN**

Classic Finial Pattern



End

**A Classic
Book Case
p. 24**

**FULL-
SIZED
PATTERN**

